

## FOOD US-2000 AD-P



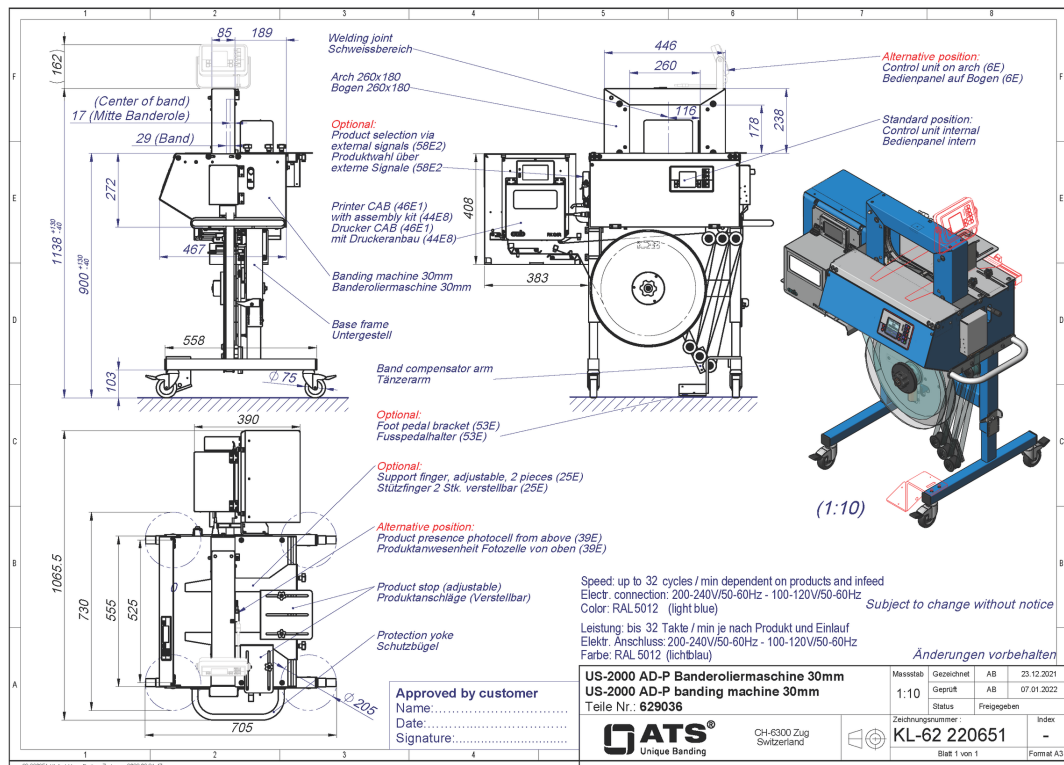
**ULTRASONIC**  
TECHNOLOGY 



The US-2000 AD-P with built-in continuous feed printer is, among other applications, the perfect solution for banding and labeling fruits and vegetables at the same time. Information such as barcodes, QR codes, batch numbers, the producer or dynamic information such as the current time or date are printed directly onto the paper or film bands via a thermal transfer printer. The printed images are placed on the band either via a fixed distance (e.g. 200 mm) or by reading a print mark using an external sensor. The use of print marks is primarily used for pre-printed bands, where the print image must be placed precisely. Because the print mark is placed on the front side of the band and can also be colored, a band printed on one side is sufficient and therefore cost-effective.

Operating the printer and changing the print image are extremely simple. Existing print images are selected from the internal memory via the intuitive control panel, new print images are uploaded via a USB stick, and texts are adjusted via the integrated or an external keyboard. If required, the printer can also be integrated into the company's internal network and connected to different systems or databases.

- ✓ *Cost-effective banding and labeling in one step*
- ✓ *Suitable for small batches thanks to easy change of print image*
- ✓ *External sensor detects colored print marks on the front side of the band*
- ✓ *Easy to use*



Easy change of the thermal transfer ink ribbon

## Technical specifications

Max. cycles per Minute

32

Bandwidth

30, 50 mm

Electrical

230 V, 50 Hz, 1 PH

Weight

105 kg

Arch size

260 x 180 mm

More information

